

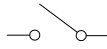

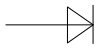
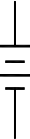
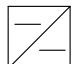


APC Smart-UPS SRT Li-ION

| Sheet No. | Component /Detail | Description |
|-----------|----------------------------------|--|
| 1 | Drawing Guide | APC Smart-UPS SRTL1000RMXLI Drawing Guide |
| 2 | Solution Isometric View | APC Smart-UPS SRTL1000RMXLI Solution Isometric View |
| 3 | Solution General Arrangement | APC Smart-UPS SRTL1000RMXLI Solution General Arrangement |
| 4 | UPS Isometric View | APC Smart-UPS SRTL1000RMXLI UPS Isometric View |
| 5 | UPS General Arrangement | APC Smart-UPS SRTL1000RMXLI UPS General Arrangement |
| 6 | Battery Pack Isometric View | APC Smart-UPS SRTL1000RMXLI Battery Pack Isometric View |
| 7 | Battery Pack General Arrangement | APC Smart-UPS SRTL1000RMXLI Battery Pack General Arrangement |
| 8 | Tower Installation | APC Smart-UPS SRTL1000RMXLI Tower Installation |
| 9 | System One Line Diagram | APC Smart-UPS SRTL1000RMXLI System One Line Diagram |

| LEGEND | | | |
|---|-----------------|---|----------------------------|
| SYMBOL | DESCRIPTION | SYMBOL | DESCRIPTION |
|  | CIRCUIT BREAKER |  | AC-DC CONVERTER |
|  | RELAY |  | DC-AC CONVERTER (INVERTER) |
|  | TERMINATOR |  | BATTERY |
|  | DC-DC CONVERTER | | |

THIS DRAWING AND SPECIFICATIONS HEREIN ARE THE PROPERTY OF SCHNEIDER ELECTRIC AND SHALL NOT BE COPIED, REPRODUCED OR USED IN WHOLE OR IN PART, AS THE BASIS FOR THE MANUFACTURE OR SALE OF ITEMS WITHOUT WRITTEN PERMISSION FROM SCHNEIDER ELECTRIC. THIS DRAWING IS BASED UPON LATEST AVAILABLE INFORMATION AND IS SUBJECT TO CHANGE WITHOUT NOTICE.

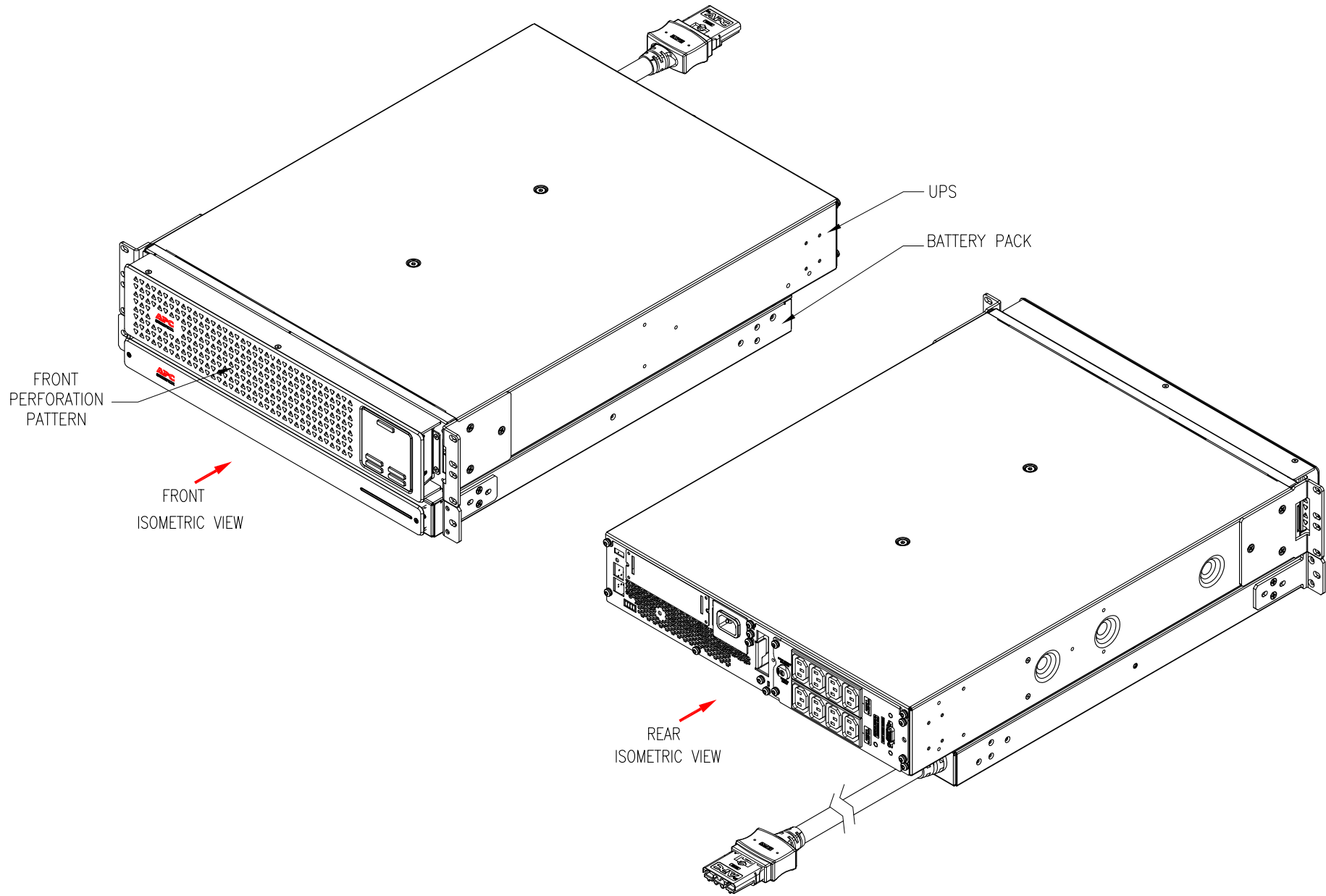


TITLE: APC Smart-UPS SRT, RACK MOUNT
 (SRT1000UXI-LI+XBP48RM1U-LI), Li-Ion, 1000VA
 INPUT: 1PH, 220/230/240V (L+N+G), 40-70Hz
 OUTPUT: 1PH, 220/230/240V(L+N+G), (8)IEC320 C13, 50/60Hz
 DRAWING GUIDE

PROJECT: DRAWINGS SHEET 1 OF 9

| | |
|---------------------------|-----------|
| DWG NO: SRTL1000RMXLI | REV: 0 |
| DRAWN: JAYAPRAKASH | 16-JAN-18 |
| ENGINEER: PAVAN G/MOHAN N | 17-JAN-18 |
| APPROVED: M LIPARE | 17-JAN-18 |
| ANGLE PROJECTION | N.A |

SKU #: SRTL1000RMXLI



NOTES:

1. INSTALLATION SHALL COMPLY WITH ALL APPLICABLE NATIONAL AND LOCAL ELECTRICAL REGULATIONS.
2. REFER TO PRODUCT MANUALS FOR ADDITIONAL DETAILS.

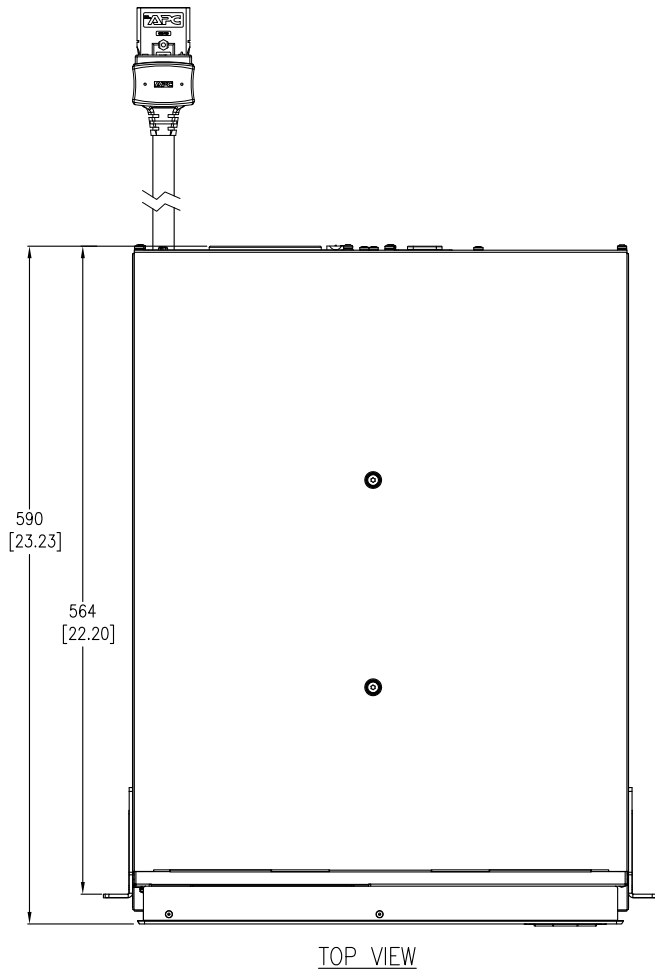
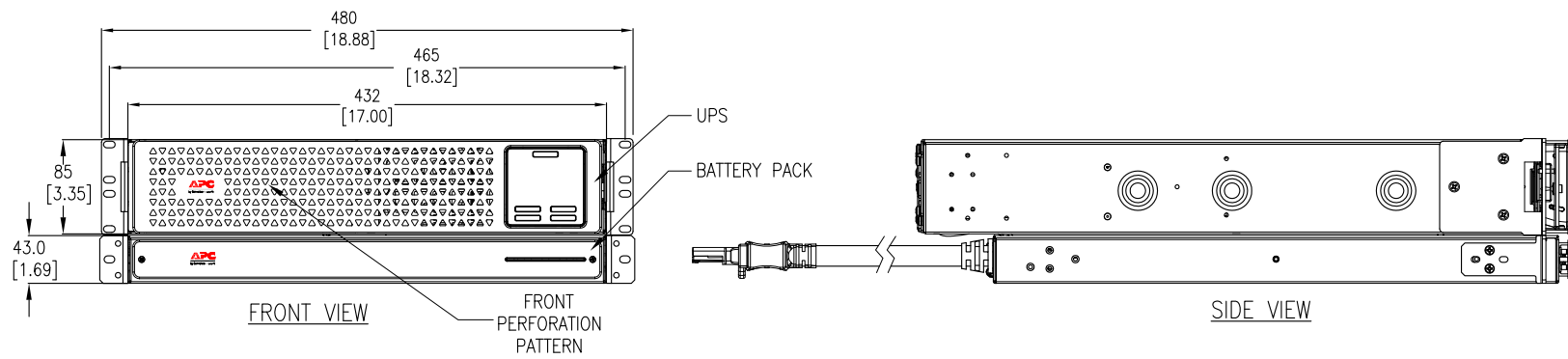
THIS DRAWING AND SPECIFICATIONS HEREIN ARE THE PROPERTY OF SCHNEIDER ELECTRIC AND SHALL NOT BE COPIED, REPRODUCED OR USED IN WHOLE OR IN PART, AS THE BASIS FOR THE MANUFACTURE OR SALE OF ITEMS WITHOUT WRITTEN PERMISSION FROM SCHNEIDER ELECTRIC. THIS DRAWING IS BASED UPON LATEST AVAILABLE INFORMATION AND IS SUBJECT TO CHANGE WITHOUT NOTICE.



TITLE: APC Smart-UPS SRT, RACK MOUNT
 (SRT1000XLI-LI+XBP48RM1U-LI), Li-Ion, 1000VA
 INPUT: 1PH, 220/230/240V (L+N+G), 40-70Hz
 OUTPUT: 1PH, 220/230/240V(L+N+G), (8)IEC320 C13, 50/60Hz
 SOLUTION ISOMETRIC VIEW (UPS+BATTERY PACK)

PROJECT: DRAWINGS SHEET 2 OF 9

| | | | |
|-----------|-----------------|-----------|------------------------|
| DWG NO: | SRTL1000RMXLI | REV: | 0 |
| DRAWN: | JAYAPRAKASH | 16-JAN-18 | FIRST ANGLE PROJECTION |
| ENGINEER: | PAVAN G/MOHAN N | 17-JAN-18 | |
| APPROVED: | M LIPARE | 17-JAN-18 | |



NOTES:

1. INSTALLATION SHALL COMPLY WITH ALL APPLICABLE NATIONAL AND LOCAL ELECTRICAL REGULATIONS.
2. REFER TO PRODUCT MANUALS FOR ADDITIONAL DETAILS.
3. ALL DIMENSIONS ARE IN MILLIMETERS [INCHES]. UNLESS OTHERWISE SPECIFIED.

THIS DRAWING AND SPECIFICATIONS HEREIN ARE THE PROPERTY OF SCHNEIDER ELECTRIC AND SHALL NOT BE COPIED, REPRODUCED OR USED IN WHOLE OR IN PART, AS THE BASIS FOR THE MANUFACTURE OR SALE OF ITEMS WITHOUT WRITTEN PERMISSION FROM SCHNEIDER ELECTRIC. THIS DRAWING IS BASED UPON LATEST AVAILABLE INFORMATION AND IS SUBJECT TO CHANGE WITHOUT NOTICE.

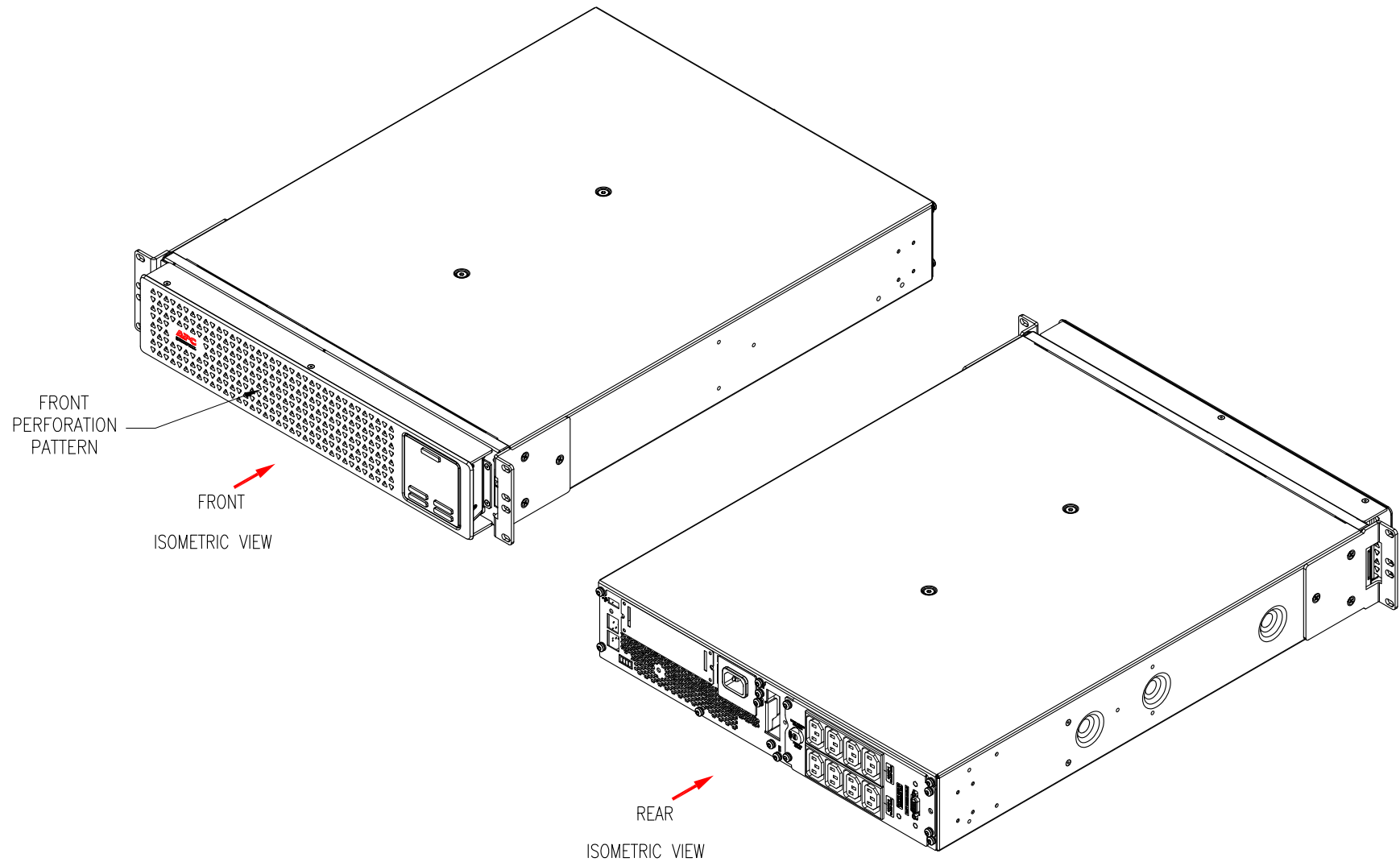


TITLE: APC Smart-UPS SRT, RACK MOUNT
(SRT1000UXI-LI+XBP48RM1U-L), Li-Ion, 1000VA
INPUT: 1PH, 220/230/240V (L+N+G), 40-70Hz
OUTPUT: 1PH, 220/230/240V(L+N+G), (8)IEC320 C13, 50/60Hz
SOLUTION GENERAL ARRANGEMENT (UPS+BATTERY PACK)

PROJECT: DRAWINGS SHEET 3 OF 9

| | | | |
|-----------|-----------------|-----------|------------------------|
| DWG NO: | SRTL1000RMXLI | REV. | 0 |
| DRAWN: | JAYAPRAKASH | 16-JAN-18 | FIRST ANGLE PROJECTION |
| ENGINEER: | PAVAN G/MOHAN N | 17-JAN-18 | |
| APPROVED: | M LIPARE | 17-JAN-18 | |

SKU #: SRT1000UXI-LI



NOTES:

1. INSTALLATION SHALL COMPLY WITH ALL APPLICABLE NATIONAL AND LOCAL ELECTRICAL REGULATIONS.
2. REFER TO PRODUCT MANUALS FOR ADDITIONAL DETAILS.

THIS DRAWING AND SPECIFICATIONS HEREIN ARE THE PROPERTY OF SCHNEIDER ELECTRIC AND SHALL NOT BE COPIED, REPRODUCED OR USED IN WHOLE OR IN PART, AS THE BASIS FOR THE MANUFACTURE OR SALE OF ITEMS WITHOUT WRITTEN PERMISSION FROM SCHNEIDER ELECTRIC. THIS DRAWING IS BASED UPON LATEST AVAILABLE INFORMATION AND IS SUBJECT TO CHANGE WITHOUT NOTICE.



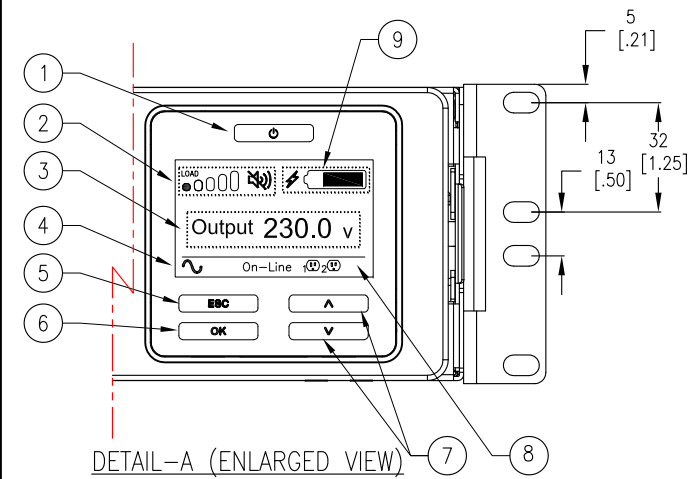
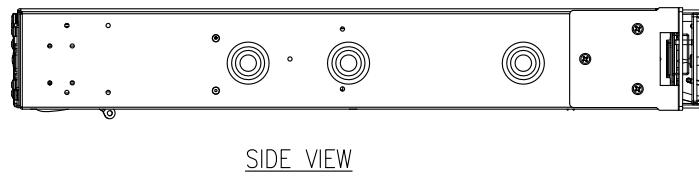
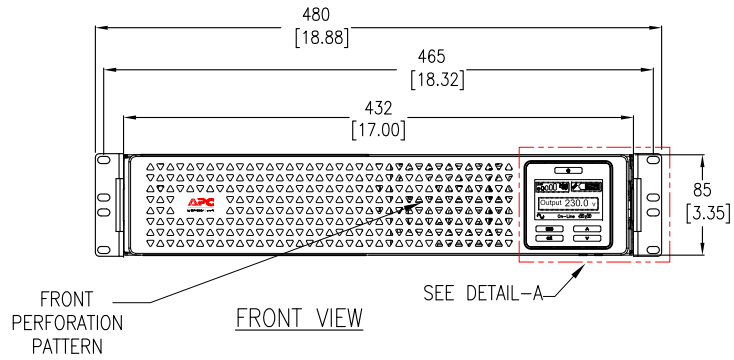
TITLE: APC Smart-UPS SRT, RACK MOUNT
(SRT1000UXI-LI+XBP48RM1U-LI), Li-Ion, 1000VA
INPUT: 1PH, 220/230/240V (L+N+G), 40-70Hz
OUTPUT: 1PH, 220/230/240V(L+N+G), (8)IEC320 C13, 50/60Hz
UPS - ISOMETRIC VIEW

DWG NO: SRTL1000RMXLI REV. 0

DRAWN: JAYAPRAKASH 16-JAN-18 FIRST ANGLE PROJECTION
ENGINEER: PAVAN G/MOHAN N 17-JAN-18

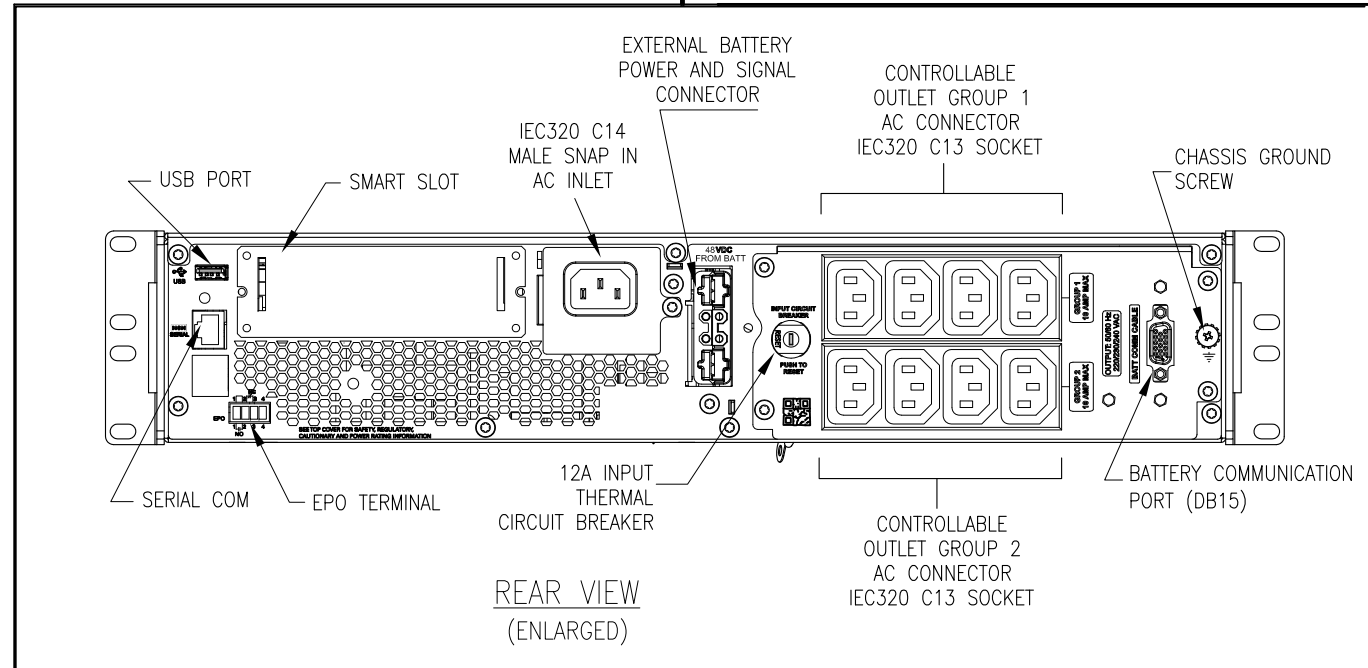
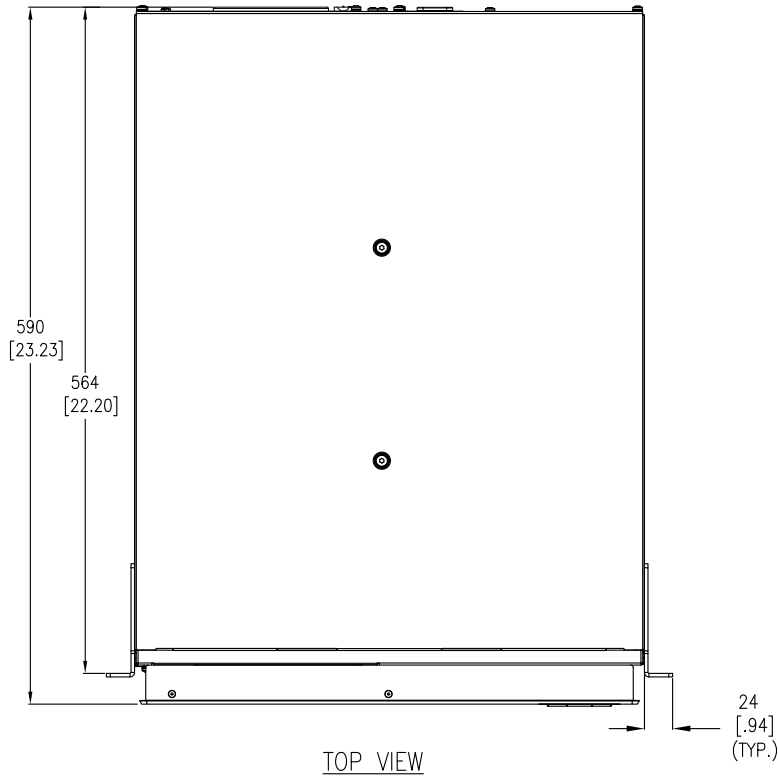
PROJECT: DRAWINGS SHEET 4 OF 9

APPROVED: M LIPARE 17-JAN-18



DISPLAY INTERFACE:

- | | |
|---|--|
| 1. POWER "ON/OFF" BUTTON. | 6. "OK" BUTTON. |
| 2. LOAD ICON, DISABLE/ MUTE AUDIBLE ALARM ICON. | 7. "UP/DOWN" BUTTONS. |
| 3. UPS STATUS INFORMATION. | 8. CONTROLLABLE OUTLET GROUP STATUS ICONS. |
| 4. OPERATION MODE ICONS. | 9. BATTERY STATUS ICONS. |
| 5. "ESCAPE" BUTTON. | |



- NOTES:
1. INSTALLATION SHALL COMPLY WITH ALL APPLICABLE NATIONAL AND LOCAL ELECTRICAL REGULATIONS.
 2. REFER TO PRODUCT MANUALS FOR ADDITIONAL DETAILS.
 3. ALL DIMENSIONS ARE IN MILLIMETERS [INCHES], UNLESS OTHERWISE SPECIFIED.
 4. CABLE ENTRY IS REAR SIDE OF UNIT.
 5. WEIGHT OF UNIT IS 13.7kg [30.2] lb.

THIS DRAWING AND SPECIFICATIONS HEREIN ARE THE PROPERTY OF SCHNEIDER ELECTRIC AND SHALL NOT BE COPIED, REPRODUCED OR USED IN WHOLE OR IN PART, AS THE BASIS FOR THE MANUFACTURE OR SALE OF ITEMS WITHOUT WRITTEN PERMISSION FROM SCHNEIDER ELECTRIC. THIS DRAWING IS BASED UPON LATEST AVAILABLE INFORMATION AND IS SUBJECT TO CHANGE WITHOUT NOTICE.



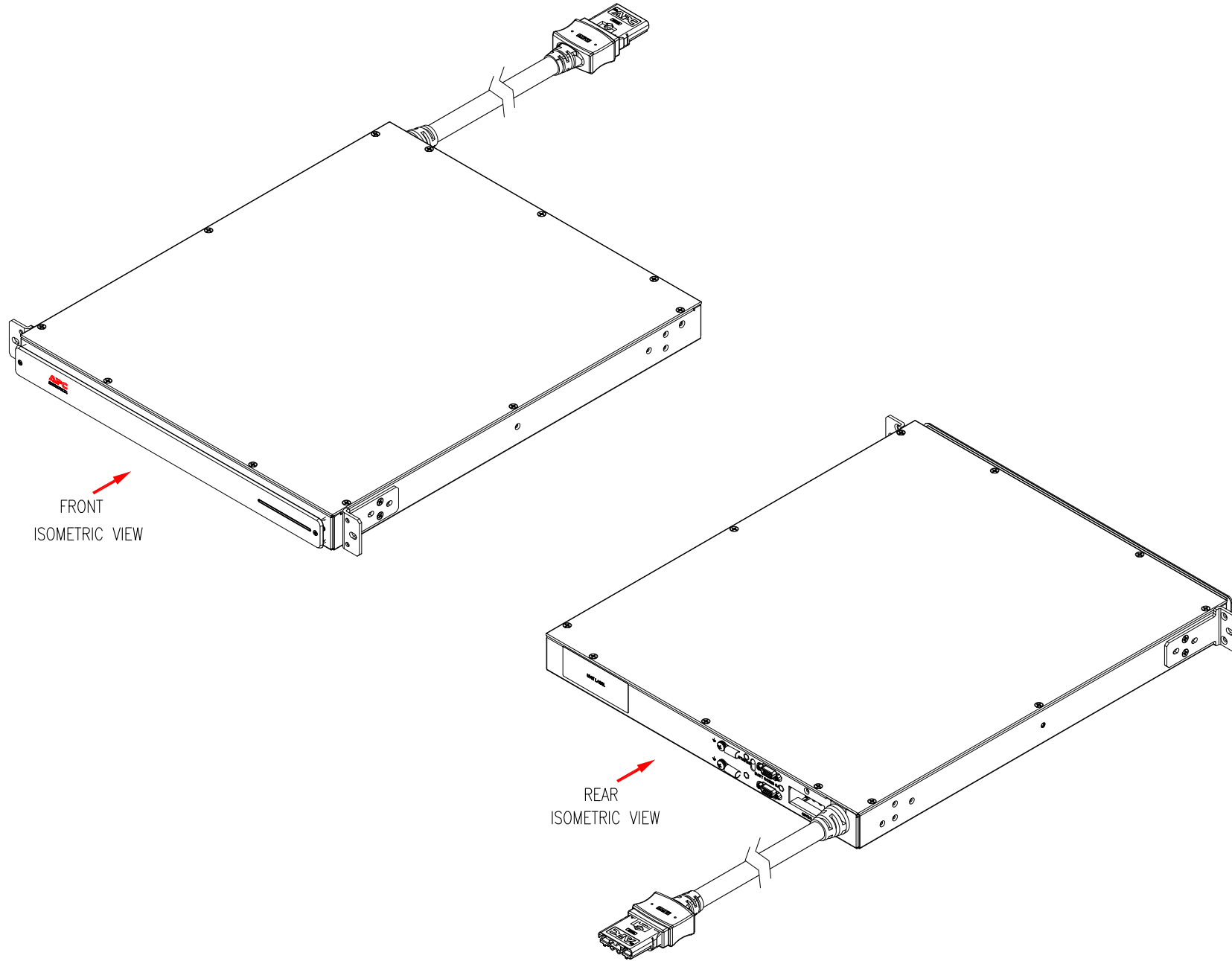
TITLE: APC Smart-ups SRT, RACK MOUNT (SRT1000UXI-LI+XP48RM1U-U), Li-Ion, 1000VA INPUT: 1PH, 220/230/240V (L+N+G), 40-70Hz OUTPUT: 1PH, 220/230/240V(L+N+G), (8)IEC320 C13, 50/60Hz UPS GENERAL ARRANGEMENT

PROJECT: DRAWINGS SHEET 5 OF 9

DWG NO: SRTL1000RMXLI REV. 0

| | | |
|---------------------------|-----------|------------------------|
| DRAWN: JAYAPRAKASH | 16-JAN-18 | FIRST ANGLE PROJECTION |
| ENGINEER: PAVAN G/MOHAN N | 17-JAN-18 | |
| APPROVED: M LIPARE | 17-JAN-18 | |

SKU #: XBP48RM1U-LI



FRONT
ISOMETRIC VIEW

REAR
ISOMETRIC VIEW

NOTES:

1. INSTALLATION SHALL COMPLY WITH ALL APPLICABLE NATIONAL AND LOCAL ELECTRICAL REGULATIONS.
2. REFER TO PRODUCT MANUALS FOR ADDITIONAL DETAILS.

THIS DRAWING AND SPECIFICATIONS HEREIN ARE THE PROPERTY OF SCHNEIDER ELECTRIC AND SHALL NOT BE COPIED, REPRODUCED OR USED IN WHOLE OR IN PART, AS THE BASIS FOR THE MANUFACTURE OR SALE OF ITEMS WITHOUT WRITTEN PERMISSION FROM SCHNEIDER ELECTRIC. THIS DRAWING IS BASED UPON LATEST AVAILABLE INFORMATION AND IS SUBJECT TO CHANGE WITHOUT NOTICE.



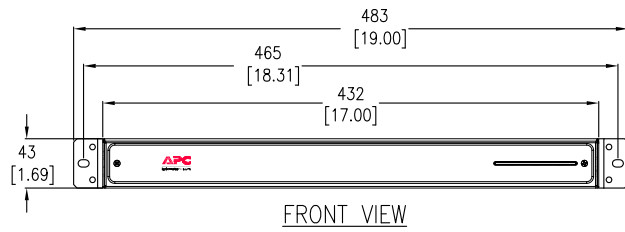
TITLE: APC Smart-UPS SRT, RACK MOUNT
(SRT1000UXI-LI+XBP48RM1U-LI), LI-Ion, 1000VA
INPUT: 1PH, 220/230/240V (L+N+G), 40-70Hz
OUTPUT: 1PH, 220/230/240V(L+N+G), (8)IEC320 C13, 50/60Hz
BATTERY PACK ISOMETRIC VIEW

DWG NO: SRTL1000RMXLI REV. 0

DRAWN: JAYAPRAKASH 16-JAN-18 FIRST ANGLE PROJECTION
ENGINEER: PAVAN G/MOHAN N 17-JAN-18

PROJECT: DRAWINGS SHEET 6 OF 9

APPROVED: M LIPARE 17-JAN-18

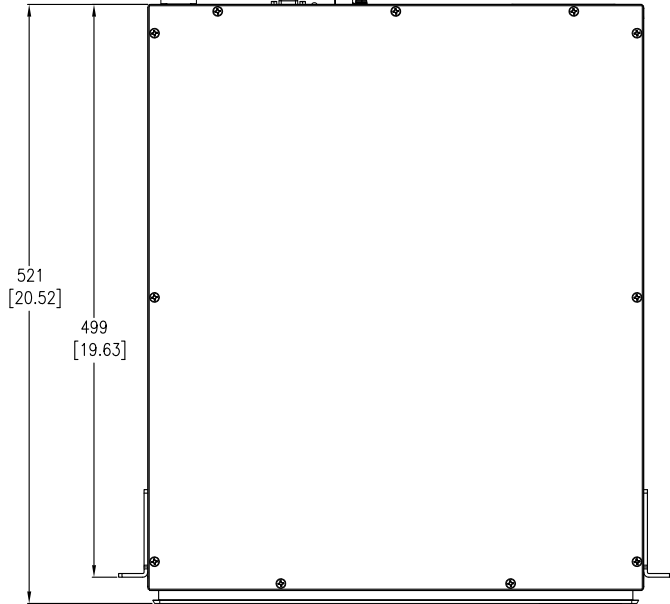
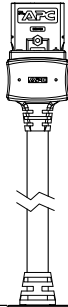


FRONT VIEW

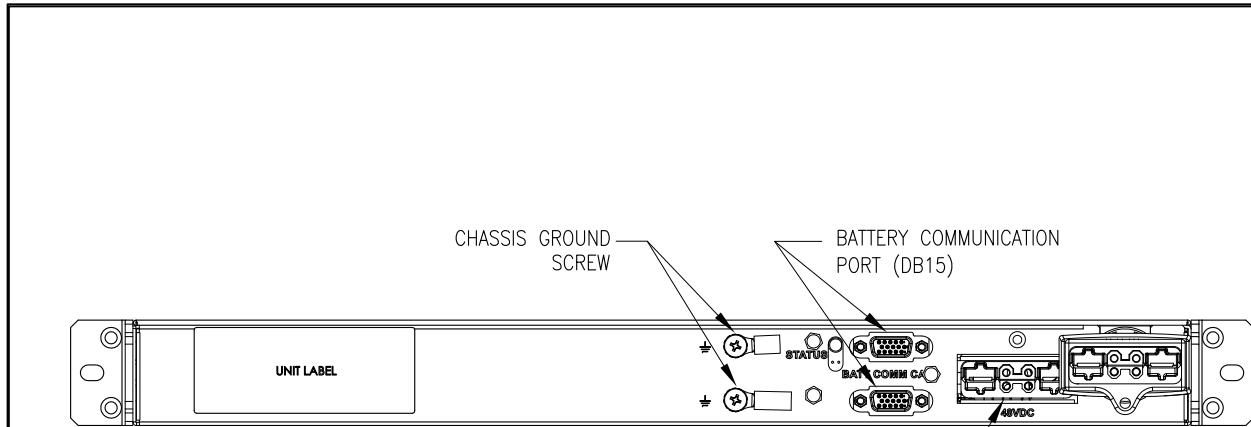


SIDE VIEW

EXTERNAL BATTERY
POWER CABLE



TOP VIEW



REAR VIEW
(ENLARGED)

NOTES:

1. INSTALLATION SHALL COMPLY WITH ALL APPLICABLE NATIONAL AND LOCAL ELECTRICAL REGULATIONS.
2. REFER TO PRODUCT MANUALS FOR ADDITIONAL DETAILS.
3. ALL DIMENSIONS ARE IN MILLIMETERS [INCHES], UNLESS OTHERWISE SPECIFIED.
4. CABLE ENTRY IS REAR SIDE OF UNIT.
5. WEIGHT OF UNIT IS 12kg [26.5] lb.
6. THE BATTERY PACK POWER CABLE LENGTH IS 600 mm [23.6 Inches] AND BATTERY COMMUNICATION CABLE LENGTH IS 300mm [11.8 Inches]

THIS DRAWING AND SPECIFICATIONS HEREIN ARE THE PROPERTY OF SCHNEIDER ELECTRIC AND SHALL NOT BE COPIED, REPRODUCED OR USED IN WHOLE OR IN PART, AS THE BASIS FOR THE MANUFACTURE OR SALE OF ITEMS WITHOUT WRITTEN PERMISSION FROM SCHNEIDER ELECTRIC. THIS DRAWING IS BASED UPON LATEST AVAILABLE INFORMATION AND IS SUBJECT TO CHANGE WITHOUT NOTICE.



TITLE: APC Smart-UPS SRT, RACK MOUNT
(SRT1000UXI-LI+XBP48RM1U-LI), Li-Ion, 1000VA
INPUT: 1PH, 220/230/240V (L+N+G), 40-70Hz
OUTPUT: 1PH, 220/230/240V(L+N+G), (8)IEC320 C13, 50/60Hz
BATTERY PACK GENERAL ARRANGEMENT

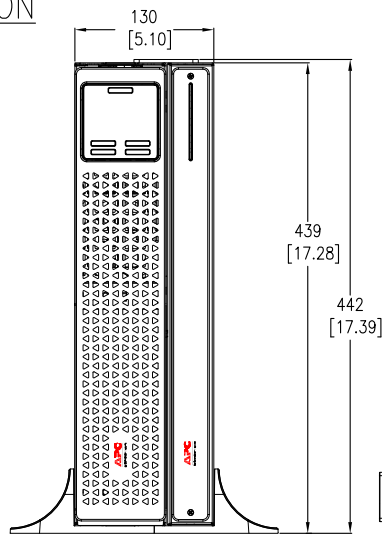
PROJECT: DRAWINGS SHEET 7 OF 9

DWG NO: SRTL1000RMXLI REV. 0

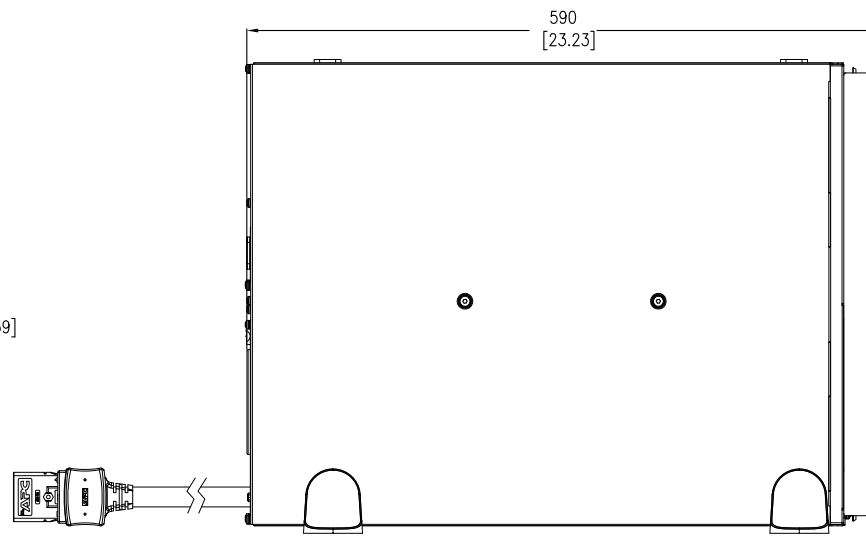
DRAWN: JAYAPRAKASH 16-JAN-18 FIRST ANGLE PROJECTION

ENGINEER: PAVAN G/MOHAN N 17-JAN-18
APPROVED: M LIPARE 17-JAN-18

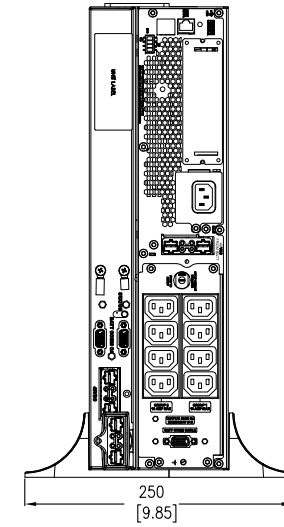
TOWER INSTALLATION



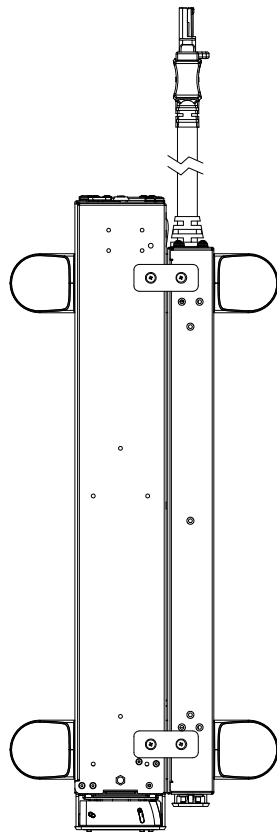
FRONT VIEW



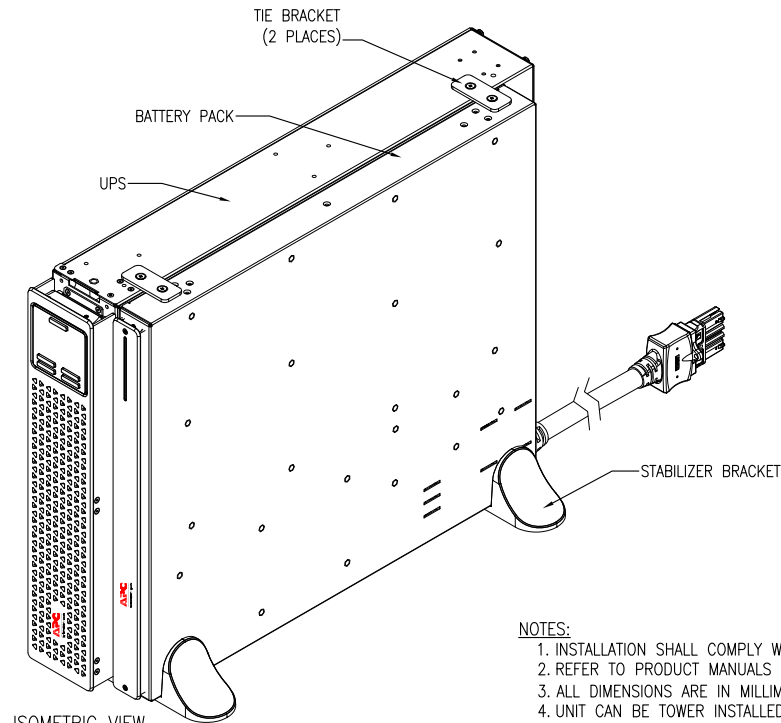
SIDE VIEW



REAR VIEW



TOP VIEW



ISOMETRIC VIEW

NOTES:

1. INSTALLATION SHALL COMPLY WITH ALL APPLICABLE NATIONAL AND LOCAL ELECTRICAL REGULATIONS.
2. REFER TO PRODUCT MANUALS FOR ADDITIONAL DETAILS.
3. ALL DIMENSIONS ARE IN MILLIMETERS [INCHES]. UNLESS OTHERWISE SPECIFIED.
4. UNIT CAN BE TOWER INSTALLED IF REQUIRED. TOWER INSTALLATION IS LIMITED TO 1 BATTERY PACK.
5. USE THE PROVIDED STABILIZER BRACKETS, TIE BRACKETS AND THE FLAT HEAD SCREWS FOR TOWER INSTALLATION.

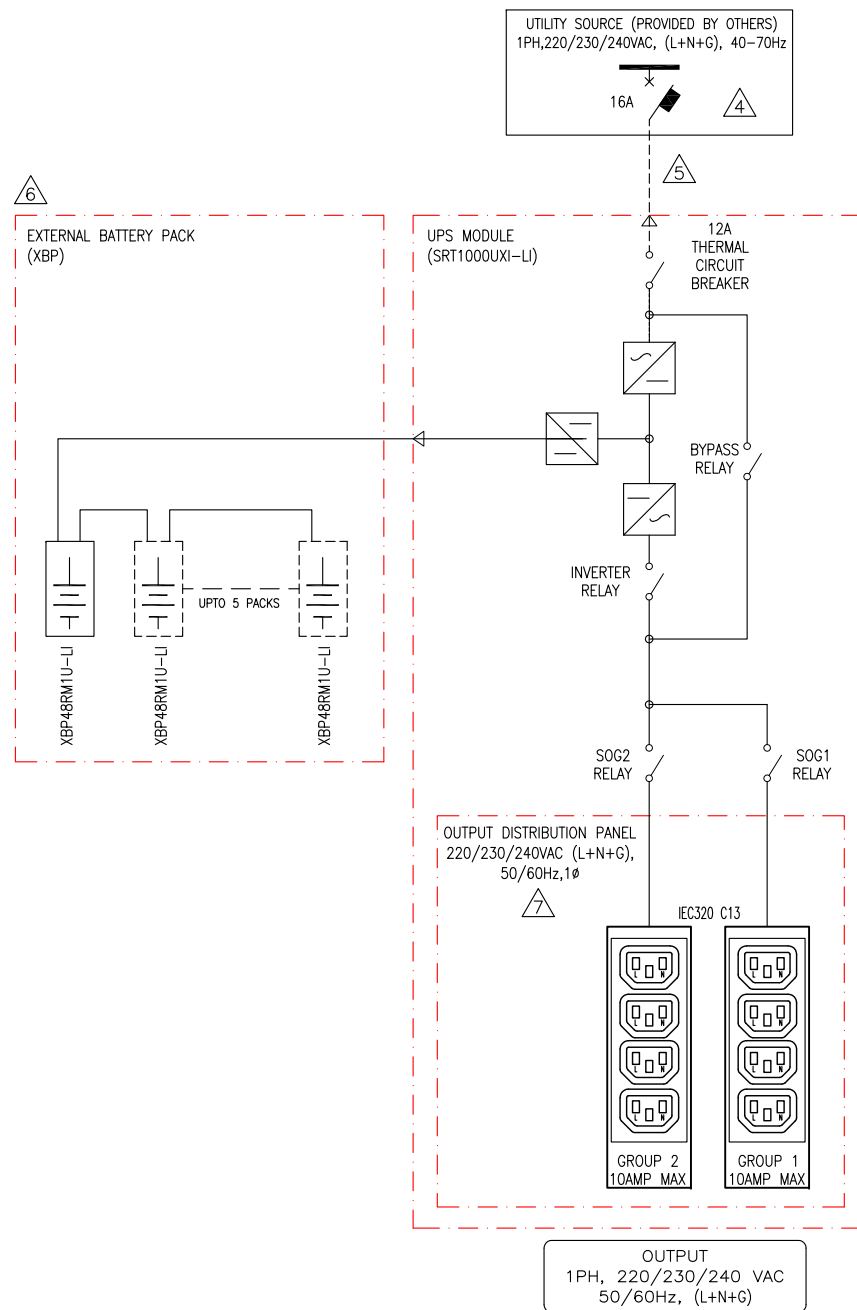
THIS DRAWING AND SPECIFICATIONS HEREIN ARE THE PROPERTY OF SCHNEIDER ELECTRIC AND SHALL NOT BE COPIED, REPRODUCED OR USED IN WHOLE OR IN PART, AS THE BASIS FOR THE MANUFACTURE OR SALE OF ITEMS WITHOUT WRITTEN PERMISSION FROM SCHNEIDER ELECTRIC. THIS DRAWING IS BASED UPON LATEST AVAILABLE INFORMATION AND IS SUBJECT TO CHANGE WITHOUT NOTICE.

Schneider Electric

TITLE: APC Smart-UPS SRT, RACK MOUNT
(SRT1000UXI-LI+XBP48RM1U-L), Li-Ion, 1000VA
INPUT: 1PH, 220/230/240V (L+N+G), 40-70Hz
OUTPUT: 1PH, 220/230/240V (L+N+G), (8)IEC320 C13, 50/60Hz
SOLUTION GENERAL ARRANGEMENT-TOWER INSTALLATION

| | | | |
|-----------|-----------------|-----------|------------------------|
| DWG NO: | SRTL1000RMXLI | REV: | 0 |
| DRAWN: | JAYAPRAKASH | 16-JAN-18 | FIRST ANGLE PROJECTION |
| ENGINEER: | PAVAN G/MOHAN N | 17-JAN-18 | |
| APPROVED: | M LIPARE | 17-JAN-18 | |

PROJECT: DRAWINGS SHEET 8 OF 9



NOTES:

1. INSTALLATION MUST COMPLY WITH ALL APPLICABLE NATIONAL, STATE AND LOCAL CODES.
2. REFER TO PRODUCT DOCUMENTATION FOR ADDITIONAL DETAILS PRIOR TO INSTALLATION AND SITE PREPARATION WORK.
3. DRAWING DEPICTS POWER SYSTEM CONNECTIONS AND IS NOT REPRESENTATIVE OF PHYSICAL LAYOUT. PLEASE REFER TO MECHANICAL DRAWINGS FOR MORE SPECIFIC PHYSICAL DATA.
- Δ 4. UTILITY SOURCE MUST BE 1φ, 220/230/240VAC (L+N+G), 40-70Hz PROVIDED BY OTHERS.
- Δ 5. DASHED LINES BETWEEN UTILITY SOURCE AND THE UNIT REPRESENTS THE IEC320 C13 INPUT POWER CORD AND NOT PROVIDED WITH THE UNIT.
- Δ 6. A MAXIMUM OF 5 EXTERNAL BATTERY PACKS CAN BE CONNECTED WITH UPS TO GET EXTENDED RUN TIME
- Δ 7. OUTPUT DISTRIBUTION PANEL CONTAINS CONTROLLABLE OUTPUT GROUPS. REFER TO INSTALLATION MANUAL FOR DETAILED INSTRUCTIONS.
8. INPUT I THD < 5% AT FULL LOAD
9. OUTPUT V THD < 2% LINEAR LOAD, <5% NON LINEAR LOAD
10. OUTPUT POWER-FACTOR IS 0.9 AT FULL LOAD

THIS DRAWING AND SPECIFICATIONS HEREIN ARE THE PROPERTY OF SCHNEIDER ELECTRIC AND SHALL NOT BE COPIED, REPRODUCED OR USED IN WHOLE OR IN PART, AS THE BASIS FOR THE MANUFACTURE OR SALE OF ITEMS WITHOUT WRITTEN PERMISSION FROM SCHNEIDER ELECTRIC. THIS DRAWING IS BASED UPON LATEST AVAILABLE INFORMATION AND IS SUBJECT TO CHANGE WITHOUT NOTICE.



TITLE: APC Smart-UPS SRT, RACK MOUNT
(SRT1000UXI-LI+XBP48RM1U-LI), Li-Ion, 1000VA
INPUT: 1PH, 220/230/240V (L+N+G), 40-70Hz
OUTPUT: 1PH, 220/230/240V (L+N+G), (8)IEC320 C13, 50/60Hz
SYSTEM ONLINE DIAGRAM

PROJECT: DRAWINGS SHEET 9 OF 9

DWG NO: SRT1000RMXLI REV: 0

| | | |
|---------------------------|-----------|------------------|
| DRAWN: JAYAPRAKASH | 16-JAN-18 | ANGLE PROJECTION |
| ENGINEER: PAVAN G/MOHAN N | 17-JAN-18 | |
| APPROVED: M LIPARE | 17-JAN-18 | |