

Product Guide**C 2056** 20W 100V Line IP66 Rated ABS Horn Speaker**C 2056** 20W Weatherproof EWIS Horn Speaker

- ✓ High output power model
- ✓ Weather resistant
- ✓ UV stabilised ABS construction
- ✓ Superb speech & music reproduction
- ✓ Excellent sound dispersion
- ✓ EWIS line monitoring system compatible
- ✓ 5 year warranty


Application

The C 2056 is an IP66 rated weatherproof horn speaker designed for indoor or outdoor installations.

Used for distributed paging systems requiring a high degree of speech articulation and program clarity.

Fitted with 22uf bipolar isolation capacitor to permit line monitoring function when employed with EWIS installations.

About Redback® Speaker Drivers

Each horn speaker has been specifically engineered to ensure a wide frequency range and dispersion angle, plus a high sound pressure level (SPL) ensuring excellent music and speech intelligibility; which is highly desirable.

Redback® drivers exhibit optimum frequency response and efficiency for BGM & paging applications.

Redback® drivers are subject to strenuous factory testing reducing the risk of unit failure or performance reduction over time.

Installation Guidelines

The C 2056 is a 100V line horn speaker designed for direct connection to a commercial amplifier with 100V output. It is fitted with a 300mm 4 core cable for loop through connection. Power tap selection is via rear mounted rotary switch.

Supplied with nickel plated chrome hardware.

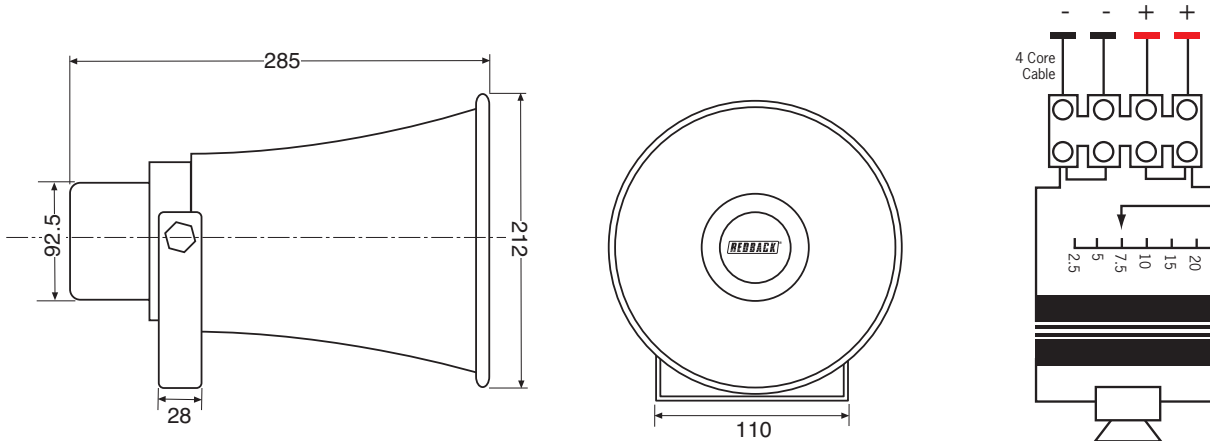
The neutral grey RAL colour of C 2056 provides an architecturally unobtrusive finish to virtually any installation.

Product Guide

C 2056 20W 100V Line IP66 Rated ABS Horn Speaker



Dimensions & Transformer Detail



Specifications

Electrical

Power taps:	2.5, 5, 7.5, 10, 15, 20W
SPL 1W @ 1m:	108dB @ 1kHz (+/- 2dB)
SPL Max Tap @ 1m:	121dB @ 1kHz (+/- 2dB)
Frequency response:	275Hz-10kHz
Connection:	4 core fly lead
EWIS line monitoring:	22uF bipolar capacitor fitted
Dispersion angle:	70°

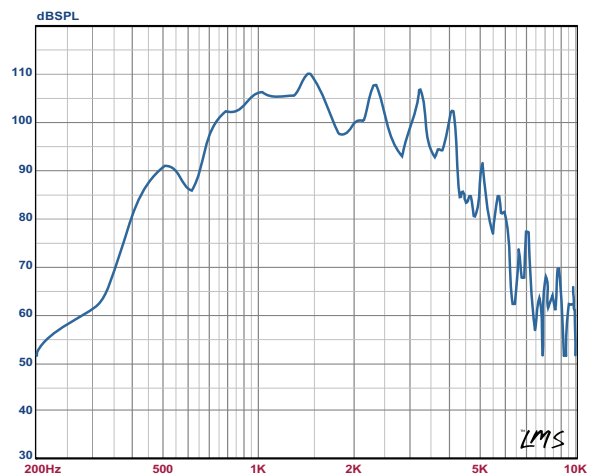
Mechanical

Driver construction:	Aluminium voice coil former
Mounting depth:	295mm
Overall weight:	2.2kg

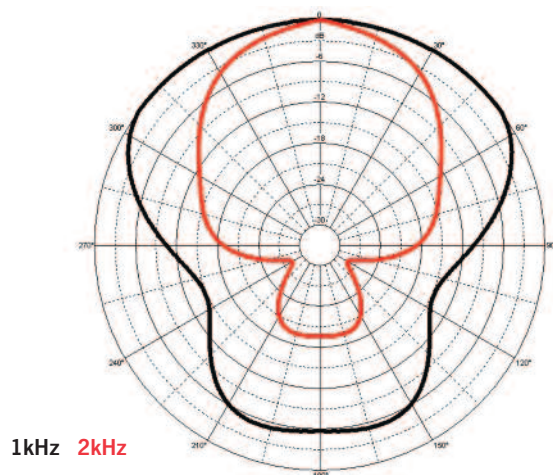
Environmental

Operating temperature:	-25°C to +70°C
Relative humidity:	< 95%

Frequency Response (SPL 1W @ 1m)



Polar Plot (Ratio vs Angle)



Architectural Specifications

The horn speaker shall operate at 100V and have power taps of 20W, 15W, 10W, 7.5W and 5W. Power settings shall be made by screw driver switch. It shall have SPL of 108 – 121dB. It shall have a frequency response of 275Hz to 10 kHz and a dispersion angle of 70°. It shall have a 22uF bipolar isolation capacitor for line monitoring. The horn will be provided with a four core cable for field wiring connection. Two for the incoming circuit and two for the outgoing circuit.

The speaker body shall be made of ABS and have an IP66 rating. The horn speaker shall be a REDBACK model C 2056.