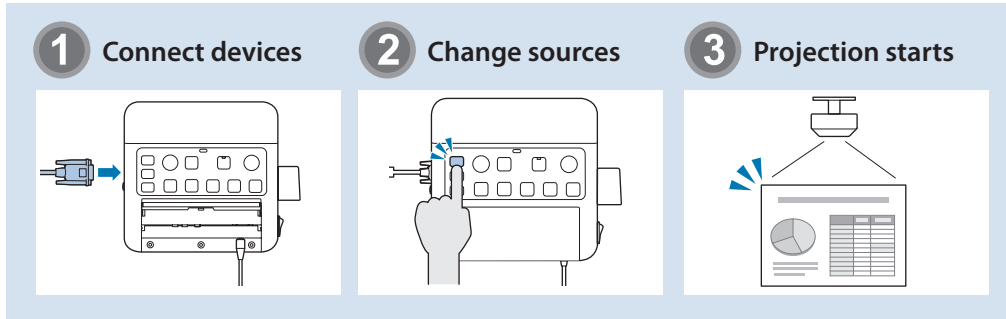
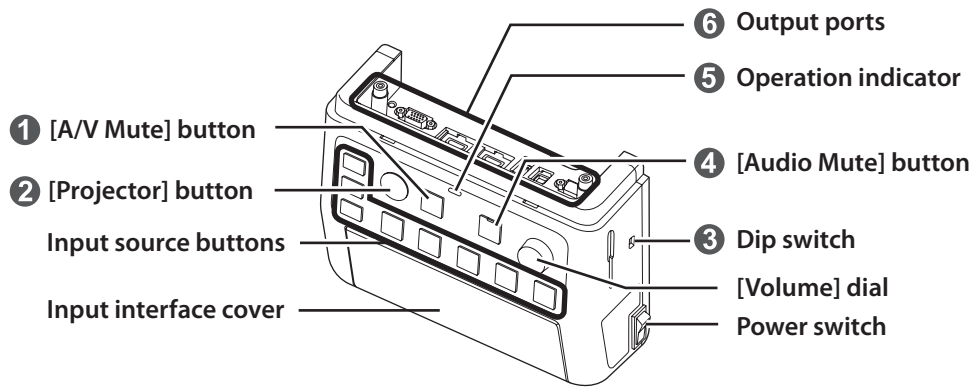


Connection & Control Box Operation Guide

How To Switch Input Sources



Part Names and Functions

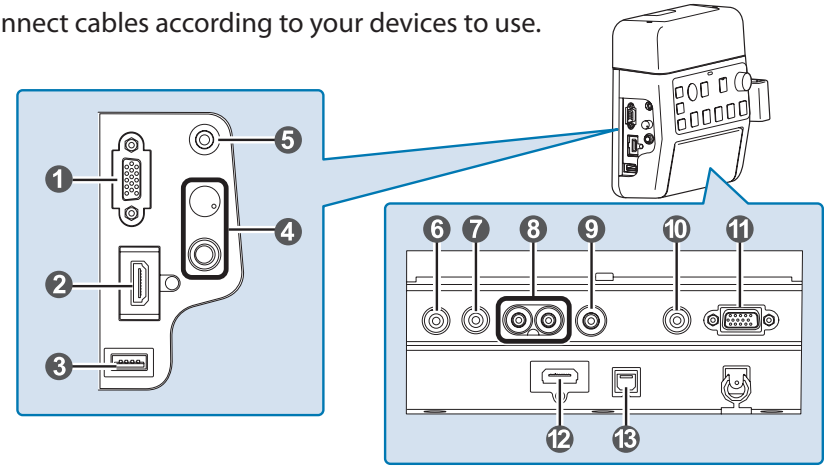


- 1** Temporarily interrupts video and audio output from the projector or speakers, except for the [Mic] port and the [AUX In] port.
- 2** Turns the projector power on or off.
- 3** Configures the audio output from the speakers when they are connected to this product.
Do not change this switch because the setting was done optimally at installation.
- 4** Temporarily mutes audio signals from the [Mic] port and the [AUX In] port. While audio is muted, the indicator of the mute button turns blue.

- 5** Indicates the status of the Connection & Control Box. (This does not indicate the status of the projector.)
■ : Operating normally.
■ : In standby. Press any button to resume.
■ : An error has occurred. Unplug the Connection & Control Box, and contact your dealer.
- 6** Connects the projector to this device. See the *Installation Manual* for more details.

Input Ports

Connect cables according to your devices to use.



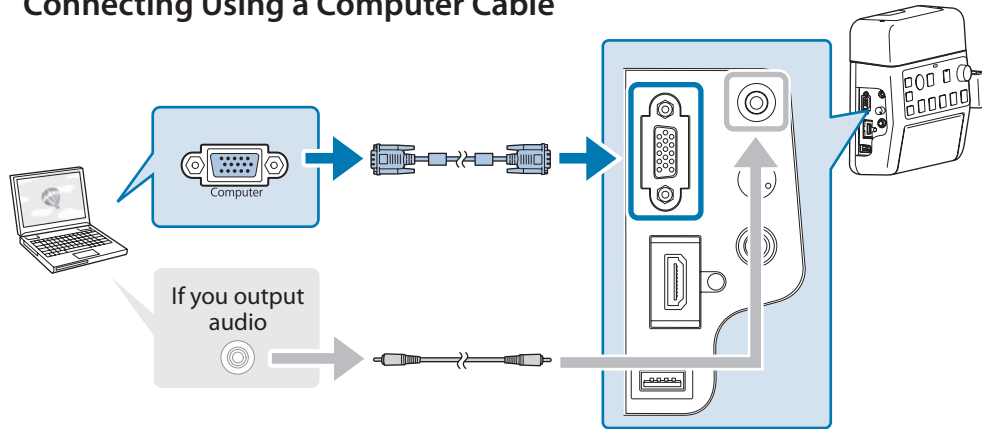
- 1** [Computer1] input port (Mini D-Sub 15-pin (female))
- 11** [Computer2] input port (Mini D-Sub 15-pin (female))
- 2** [HDMI1/MHL] port
- 12** [HDMI2] port
- 3** [USB-A] port
- 4** [Mic] port (φ6.3 mm stereo jack) / [Volume] dial (mic input)
- 5** [Audio1] port
- 10** [Audio2] port (φ3.5 mm stereo mini jack)
- 6** [AUX In] port (We recommend using a shielded cable.)
- 7** [REC Out] port
- 8** [Audio-L/R] port (RCA jack)
- 9** [Video] input port (RCA jack)
- 13** [USB-B] port



- When using a commercially available dynamic microphone, connect to the **4** [Mic] port. Plug-in power is not supported.
- When inputting audio from a portable audio player and such, connect the audio cable to **6** [AUX In] port. The audio input from **6** [AUX In] port is always played regardless of the selected source.
- When connecting a recording device, connect the audio cable to **7** [REC Out] port. The audio input from the audio input ports, the Aux In, and the Mic port is output. Audio is output in a constant level and cannot be adjusted.

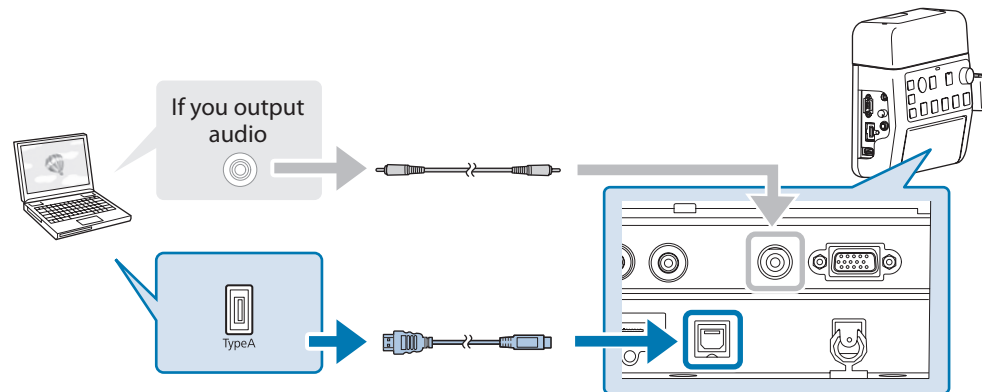
Connection Examples

Connecting Using a Computer Cable



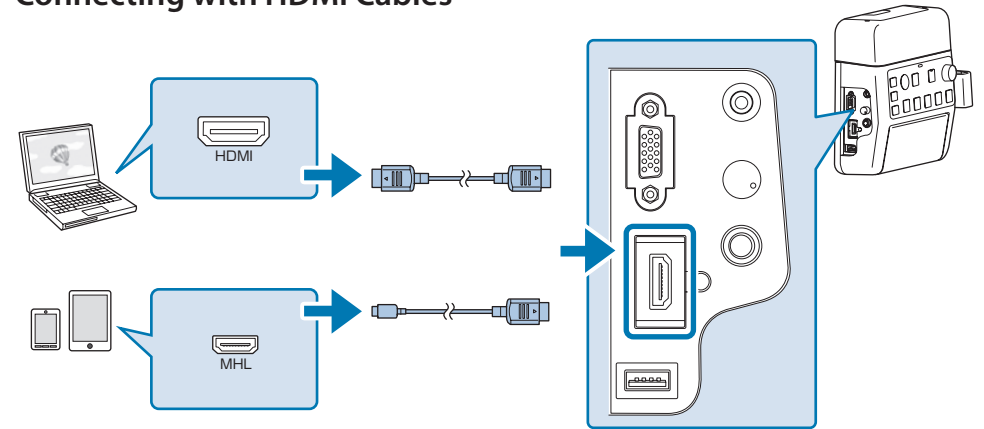
- Connect the ports in either of the following combinations.
 When using [Computer1] input port → [Audio1] port
 When using [Computer2] input port → [Audio2] port

Connecting Using a USB Cable

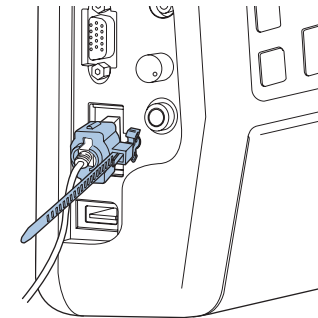


- For projectors which audio can be input with the USB cable in the USB Display function, there is no need to connect the audio cable.
- Be sure to connect the projector and the computer directly, not via a USB hub.

Connecting with HDMI Cables



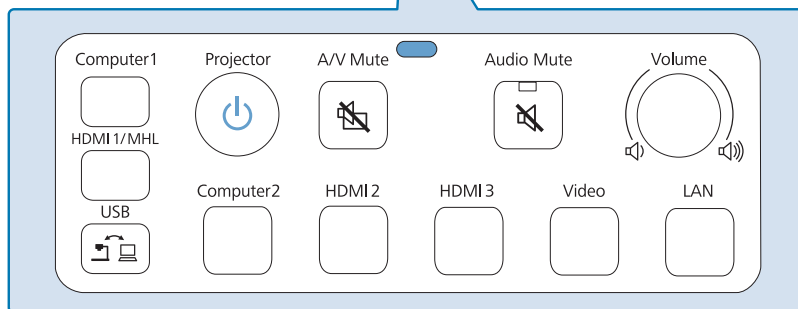
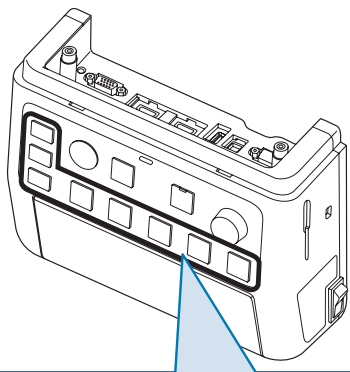
If you use a thick HDMI cable, it may disconnect under its own weight. Use the HDMI cable clamp to secure the cable.



- When the projector only has one HDMI port, make sure you connect the HDMI cable to the [HDMI1/MHL] port.
- You may not be able to connect an MHL cable to all devices. Also, depending on the model or settings of the device, images may not be projected correctly.
- When connecting an MHL cable, make sure the cable meets the MHL standards. If the cable does not meet the MHL standard, the connected device may malfunction.
- If you connect using a commercially available MHL-HDMI conversion adapter, you may not be able to charge the connected device or you may not be able to perform operations from the projector's remote control.
- If images are not projected correctly using an MHL cable, disconnect and then reconnect the MHL cable.
- If you switch the HDMI1/MHL source and the HDMI2 source while playing a movie, the movie may freeze. Stop the movie before switching sources.

Switching Images

Names and Functions of the Input Source Buttons



Press the Input Source buttons to input images and audio from the device connected to the port as shown in the following table. Switching sources may take a while.



Input Source Button	Image Input	Audio Input
Computer1	Computer1	Audio1
HDMI1/MHL	HDMI1/MHL	HDMI1/MHL
USB	USB Display ↔ USB-A	USB Display/Audio2*
Computer2	Computer2	Audio2
HDMI2	HDMI2	HDMI2
HDMI3	HDMI3**	HDMI3**
Video	Video	Audio-L/R
LAN	LAN	LAN/Audio2*

* If the projector supports audio transfer using USB display or over a network, audio is input through USB Display or LAN. When you use a projector that does not support audio transfer, [Audio2] is input.

** Inputs images and audio from the device connected to the projector's HDMI3 port.

Troubleshooting


No images appear

Did you turn on the connected device?	Turn on the power of the connected device.
Did you turn on the projector?	Press the [Projector] button.
Did you press the correct Input Source button for the connected device you want to play?	When no specific input source is selected, [Computer1] button is automatically selected and images from the [Computer1] input port are displayed. Press the correct Input Source button corresponding to the connected device.
Did you press the [A/V Mute] button?	Press the [A/V Mute] button again.
Is the operation indicator light on  ?	If no operations are made on the Connection & Control Box for eight hours, it enters standby status. Press any button and the indicator turns to  , press the Input Source button.





The source can not be switched

Did you press the correct Input Source button corresponding to the connected device?	Press the correct Input Source button.
Is the Message Broadcasting dialog displayed?	Press the [Projector] button and restart the projector.

The Connection & Control Box is not operating

Is the power of this product on?	Turn on the power switch.
Is the power cable plugged?	Plug in the power cable of the Connection & Control Box.
Is the operation indicator flashing  ?	Unplug the power cable of the Connection & Control Box, and contact your dealer.

No sound comes out or the sound is faint

Is the projector's audio input setting correct?	Check that the projector's "A/V Settings" or "Audio Input" are correct.  Projector's user's guide
Did you turn down the audio volume of the projector or speakers too much?	Turn up the volume with the [Volume] dial.  Projector's or Speakers' user's guide.
Is the projector's "MIC Input Level" appropriate?	Adjust the input level of the microphone.
Is the audio cable of the connected device correctly connected?	Check the connection of the audio cable.  This manual "Input Ports", <i>Connection & Control Box Installation Manual</i> "Connecting to the Speaker"
Is there a cable connected to the projector's audio output port?	If a cable is connected to the projector's audio output port, sound does not come out from the built-in speaker.
Is the Dip switch setting correct?	Check the Dip switch setting.  <i>Connection & Control Box Installation Manual</i> "Connecting to the Speaker"